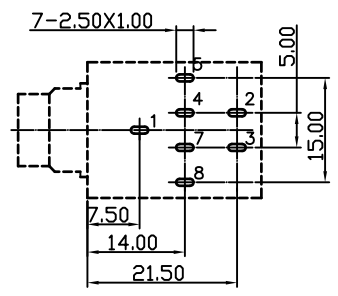
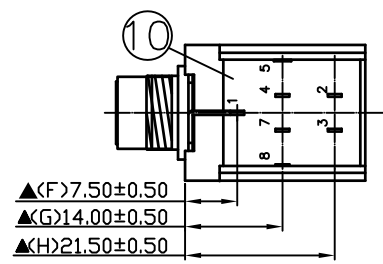
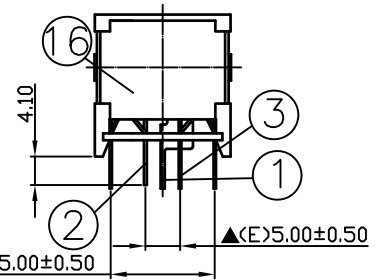
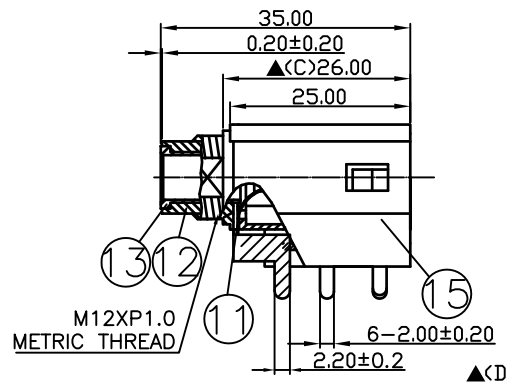
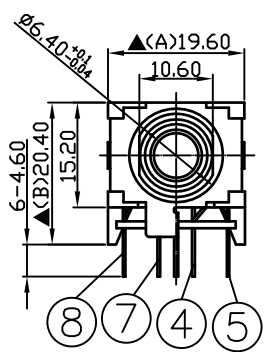


16.	Cover	PBT+15%	1	Black Color
15.	Housing	POM	1	Black Color
14.	Insulator	POM	2	Black Color
13.	Bushing	Low Lead Brass Rod	1	Nickel Plated
12.	Barre	POM	1	Black Color
11.	Earth Spring	0.2T Phosphor Bronze	1	Nickel Plated
10.	Guide Plate	1.0T Bakelite	1	Natural
9.	Washer	0.5T Steel	1	Nickel Plated
8.	Break Terminal	0.35T Phosphor Bronze	1	Silver Plated
7.	Transfer Terminal	0.4T Brass	1	Silver Plated
6.	Nut	2.0T Steel	1	Nickel Plated
5.	Transfer Terminal	0.35T Phosphor Bronze	1	Silver Plated
4.	Break Terminal	0.4T Brass	1	Silver Plated
3.	Ring Terminal	0.25T Phosphor Bronze	1	Silver Plated
2.	Tip Terminal	0.35T Phosphor Bronze	1	Silver Plated
1.	Sleeve Terminal	0.5T Steel	1	Nickel Plated
NO.	Description	Material	Q'TY	Finish



Pin Hole Layout  
(Jack Bottom View)

<b>S.C. PRECISION INDUSTRIAL CO., LTD.</b>	DATE	DWN	CHKD	APVD	MANAGER
	03.23.2022	王平華			

For Redference  
僅供參考

RoHS&SVHC  
Compliant

PART NAME : 6.3φ PHONE JACK    PART NUMBER: SCJ628RONCS1B00L    VERSION: 1.0

TOLERANCE : ±0.3mm UNLESS OTHERWISE SPECIFIED    UNIT: mm    SCALE: /

SPECIFICATIONS:  
 Contact Resistance : 30mΩ max  
 Insulation Resistance : 100MΩ min. at DC 500V  
 Dielectric Withstand Voltage : AC 500V for one minute  
 Remark: ▲: The Most Important Dimension